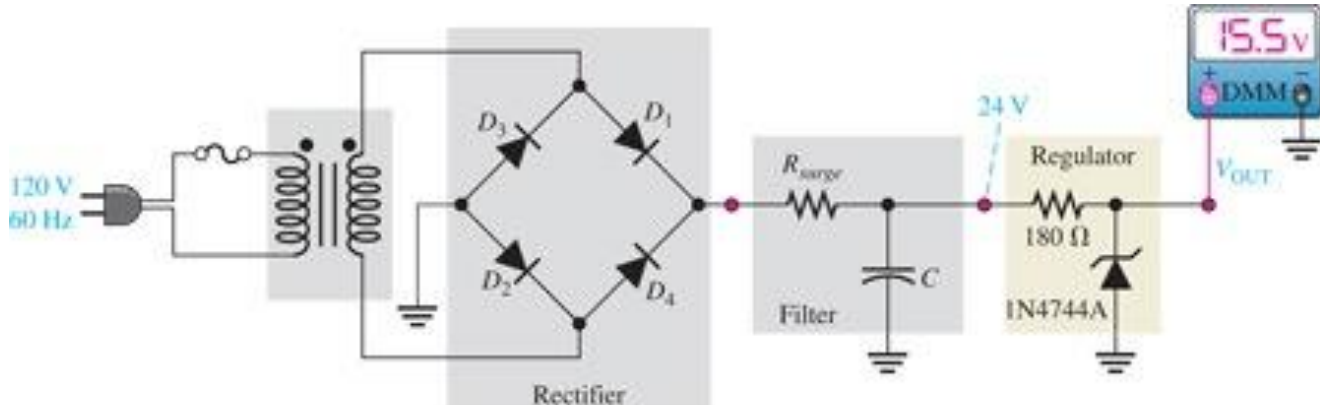
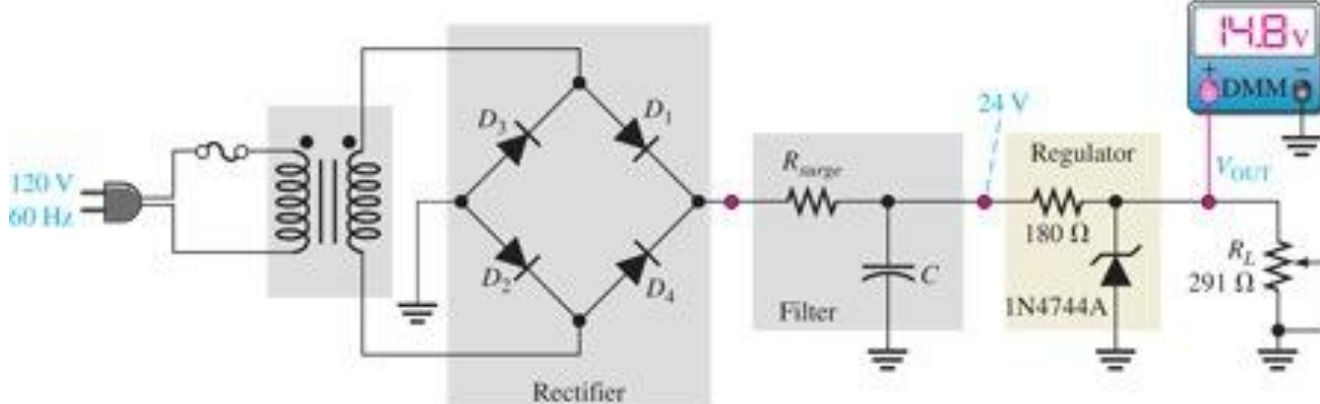


FIGURE 3–59 Zener-regulated power supply test.

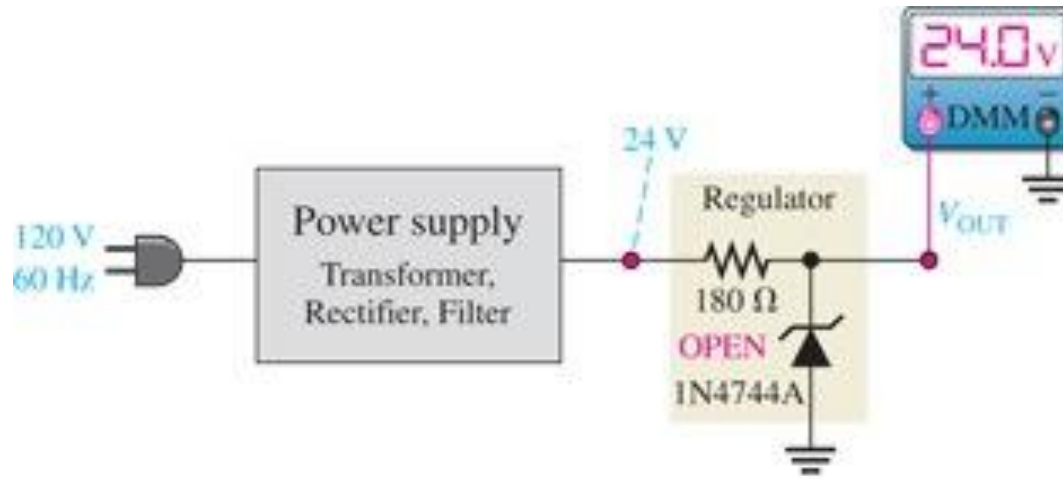


(a) Correct output voltage with no load

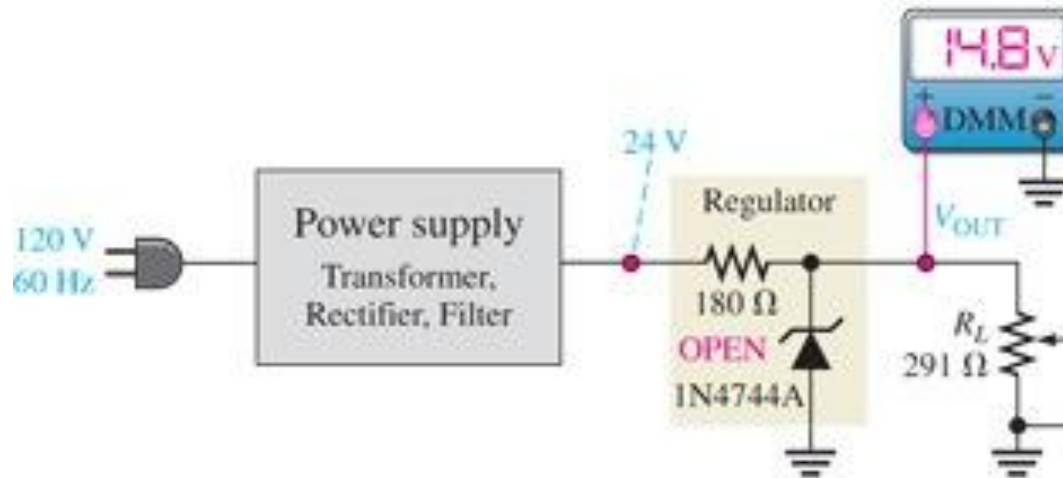


(b) Correct output voltage with full load

FIGURE 3–60 Indications of an open zener.

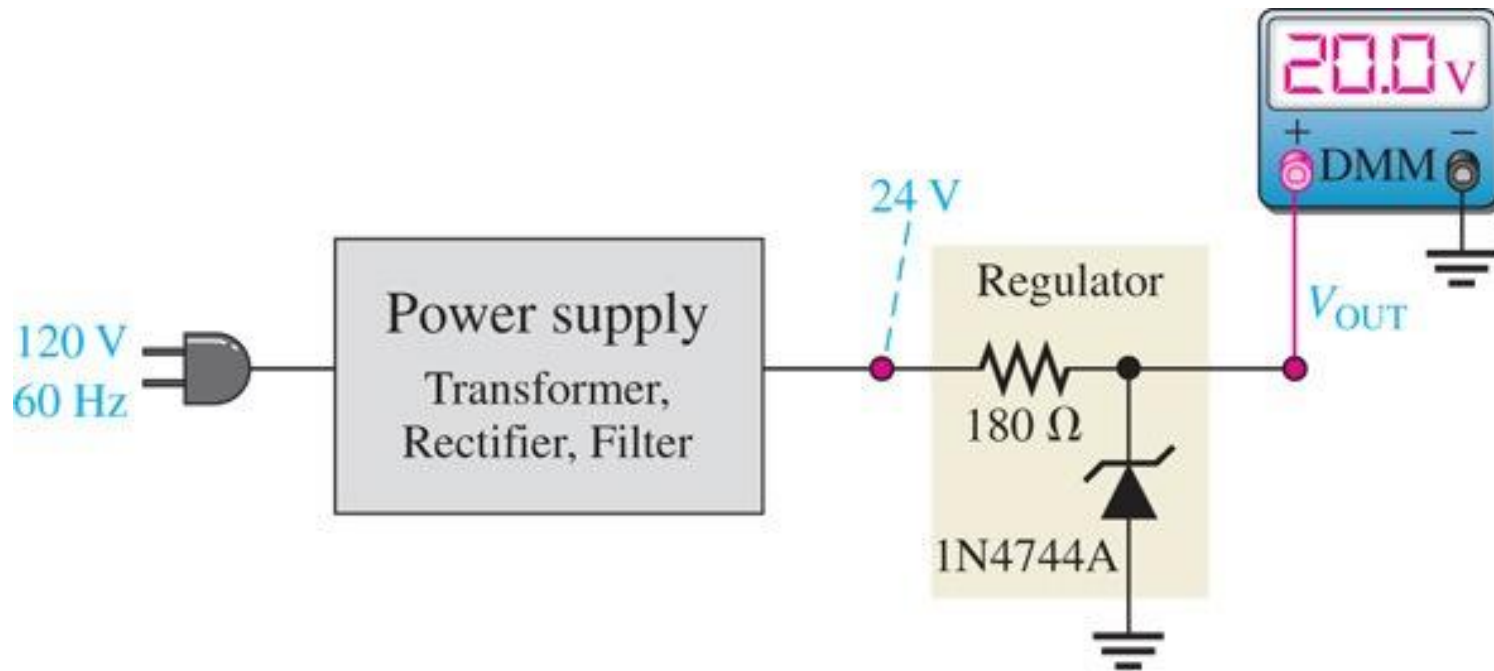


(a) Open zener diode with no load



(b) Open zener diode cannot be detected by full-load measurement in this case.

FIGURE 3–61 Indication of faulty or wrong zener.



Floyd has been writing textbooks in electronic technology since 1975 including Digital Fundamentals, Principles of Electric Circuits, Electronics Fundamentals, Electronic Devices, Electric Circuit Fundamentals, Digital Fundamentals: A Systems Approach, Digital Fundamentals with PLD Programming, Fundamentals of Analog Circuits: A Systems Approach, Science of Electronics: Digital, Analog Fundamentals, Basic Operational Amplifiers and Linear Integrated Circuits, DC/AC Fundamentals: A Systems Approach, and Renewable Energy. I did not enjoy using Electronic Devices 10th edition, by Floyd. I am generally an excellent student when it comes to science and Electronic Devices (Conventional Current Version) (8th Edition) by Floyd, Thomas L. Seller SGS Trading Inc Condition New ISBN 9780132429733 Item Price c3a7fb933273d7835a4c88ca73279e05.promocao.consul.com.br. c3a7fb933273d7835a4c88ca73279e05.promocao.consul.com.br/ electronic _ devices _ conventional _ current _ version _ 8th _ edition .pdf. clipped from Google - 10/2020. 1 Oct 2020 Electronic Devices Conventional Current Version Thomas L .. Electronic Devices Electron Flow Version By Floyd 9th Edition Electronic ons.oceaneering.com. ons.oceaneering.com/cgi/viewcontent.php? electronic . devices edition clipped from Google - 10/2020. For courses in basic electronics and electronic devices and circuits. A user-friendly, hands-on introduction to electronic devices filled with practical applications and software simulation. Electronic Devices (Conventional Current Version), 10/e, provides a solid foundation in basic analog electronics and a thorough introduction to analog integrated circuits and programmable devices. The text identifies the circuits and components within a system, helping students see how the circuit relates to the overall system function. Electronic Devices (Electron Flow Version) (8th Edition). March 26, 2007, Prentice Hall. in English. zzzz. Not in Library. 05. Electronic Devices (Electron Flow Version) (8th Edition). March 26, 2007, Prentice Hall. Electronic Devices: Conventional Flow. November 15, 2001, Prentice-Hall. Paperback in English - 4Rev Ed edition. zzzz. Not in Library. 15. Electronic Devices (Conventional Flow Version) (6th Edition). June 13, 2001, Prentice Hall. in English. Semiconductor Devices Books. Power Electronics Books. Signals Systems Books (Electromagnetics Books). Au current semester last working date updates. Au current semester exams time table.